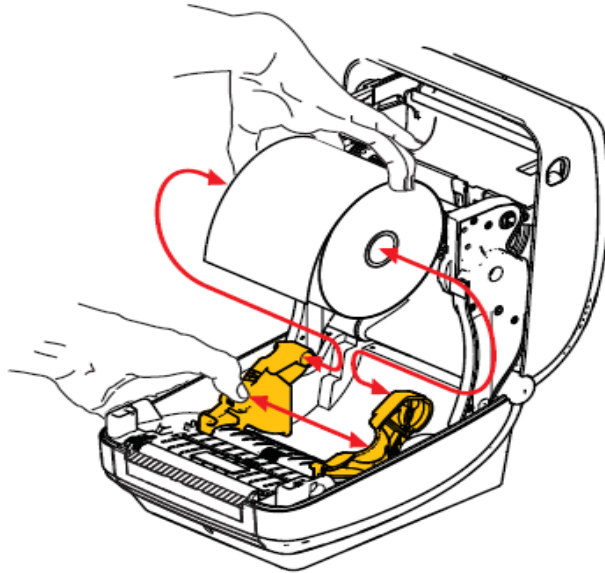


Zebra Printer ZT500 Load Media

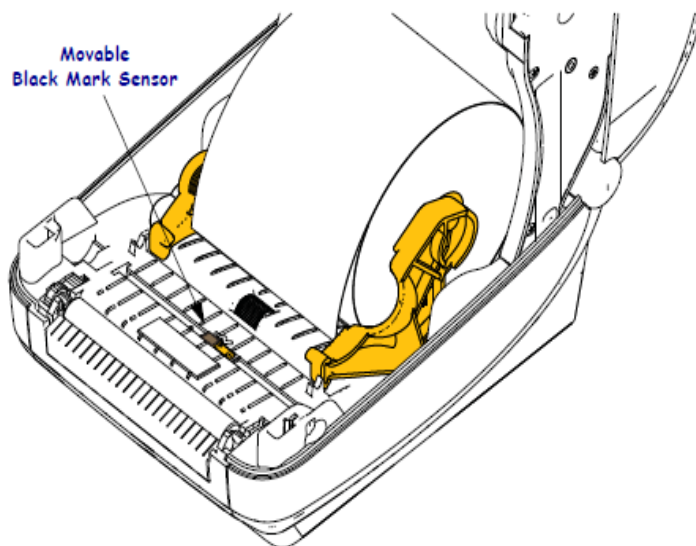
Complete these steps to load the media in the Zebra ZT500 printer.

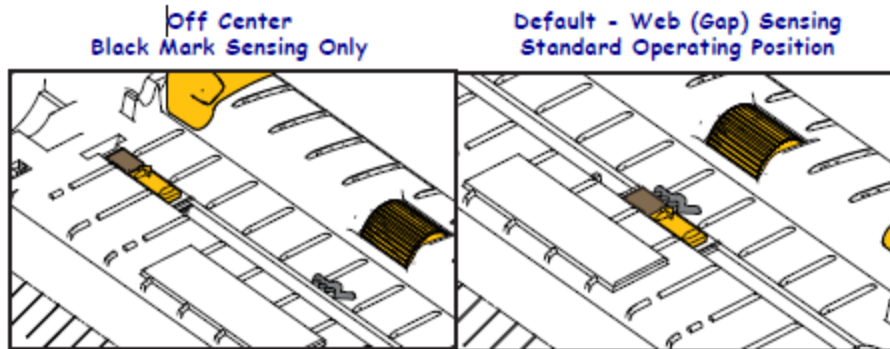
Step 1 - Open the printer. Pull the release latch levers toward the front of the printer.

Step 2 - Open the media roll holders. Pull the media guides open with your free hand and place the media roll on the roll holders and release the guides. Orient the media roll so that its printing surface will face up as it passes over the platen (drive) roller.

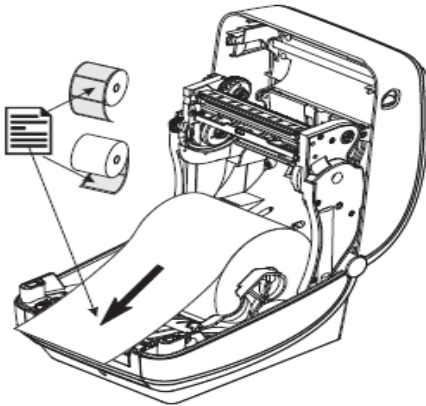


Step 3 - Verify that the movable black mark sensor is aligned in the center default position. This is the standard operating position for media sensing. When the sensor is moved from the default label web (gap) sensing area, the printer will only detect black mark and die-cut notched media.





Step 4 - Pull the media so that it extends out of the front of the printer. Verify the roll turns freely. The roll must not sit in the bottom of the media compartment. Verify that the media's printing surface is facing up.



Step 5 - Push the media under both media guides.

Step 6 - Close the printer. Press down until the cover snaps closed.

VA



U.S. Department
of Veterans Affairs

