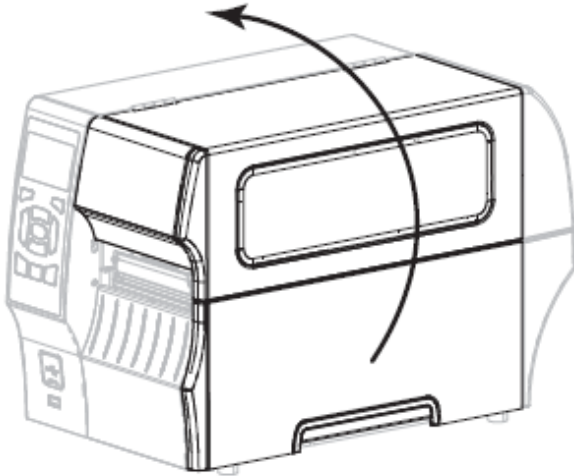


Zebra Printer ZT400R Load Media

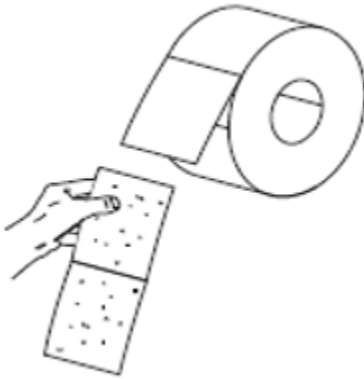
Complete these steps to load the media in the Zebra ZT400R printer.

Step 1 - Raise the media door.



Step 2 - Insert media into the printer. Follow the instructions for roll or fanfold media, as appropriate.

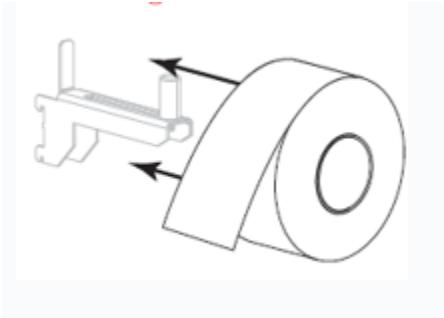
A) Remove and discard any tags or labels that are dirty or that are held by adhesives or tapes.



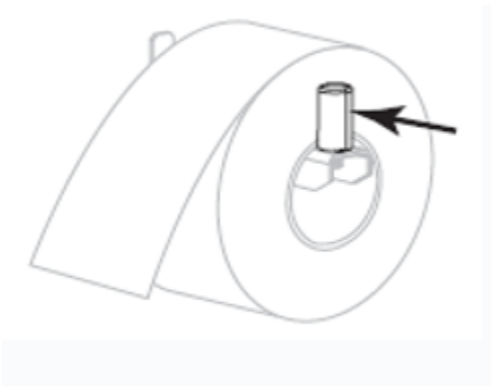
B) Pull out the media supply guide as far as it goes.



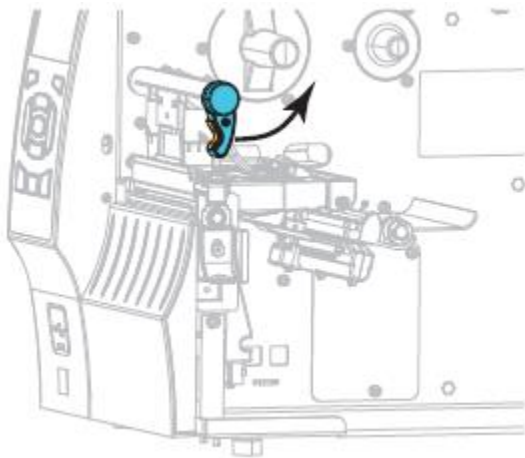
C) Place the roll of media on the media supply hanger. Push the roll back as far as it will go.



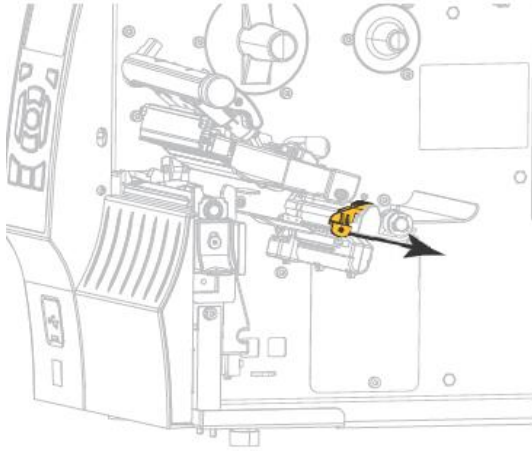
D) Slide in the media supply guide until it touches the edge of the roll.



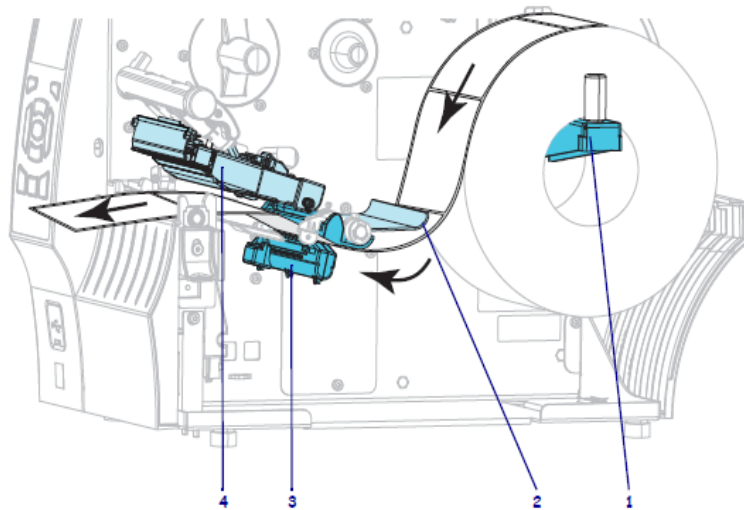
Step 3 - Open the printhead assembly by rotating the printhead-open lever.



Step 4 - Slide the media guide all the way out.



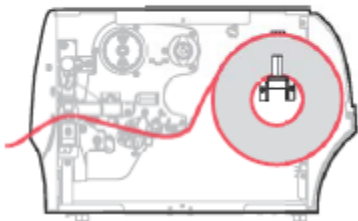
Step 5 - From the media hanger (1), feed the media under the dancer assembly (2), through the media sensor (3), and under the printhead assembly (4). Slide the media back until it touches the inside back wall of the media sensor.



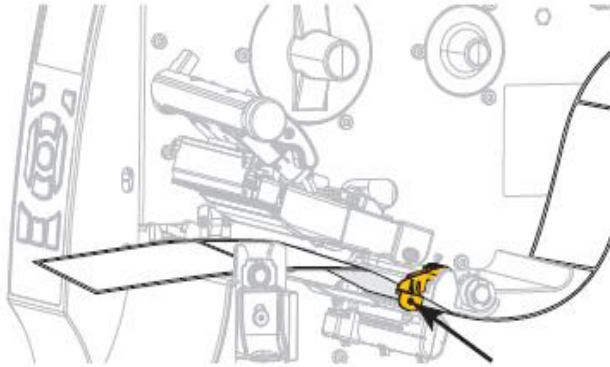
Step 6 - Operating mode-print tear off mode.

If using...

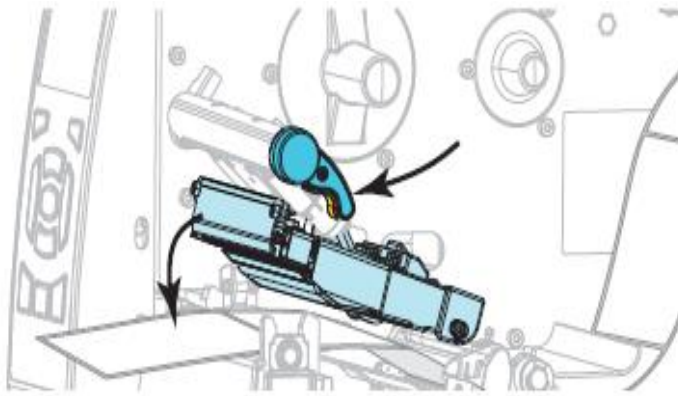
Tear-Off mode



A) Slide in the media guide until it just touches the edge of the media.



B) Rotate the printhead-open lever downward until it locks into place.



Step 7 - Close the media door.

