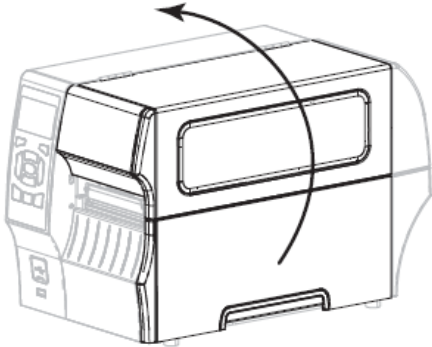


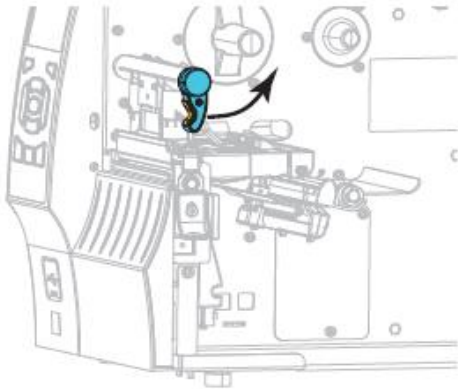
**Zebra Printer ZT400R Load Ribbon**

Complete these steps to load ribbon in the Zebra ZT400R printer.

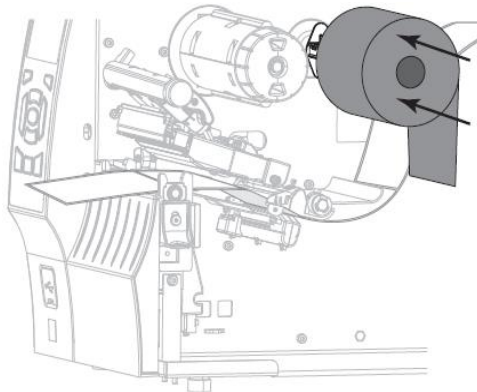
Step 1 - Raise the media door.



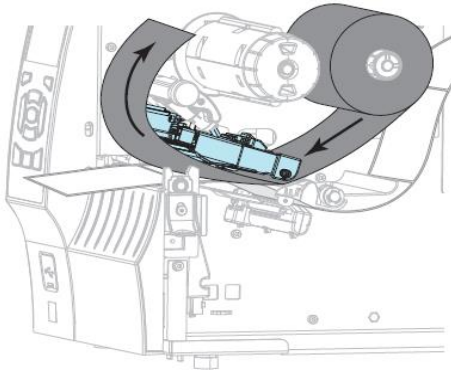
Step 2 - Open the printhead assembly by rotating the printhead-open lever.



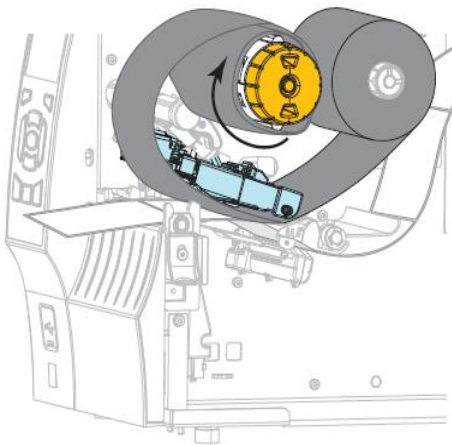
Step 3 - Place the roll of ribbon on the ribbon supply spindle with the loose end of the ribbon unrolling as shown. Push the roll back as far as it will go.



Step 4 - Bring the ribbon under the printhead assembly and around its left side, as shown.



Step 5 - With the ribbon tracking as far back as it can under the printhead assembly, wrap the ribbon around the ribbon take-up spindle. Rotate the spindle several turns in the direction shown to tighten and align the ribbon.



Step 6 - Close the media door.

